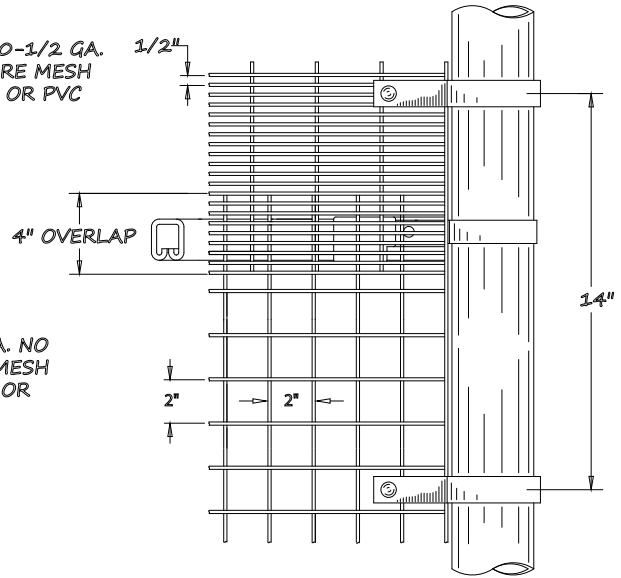
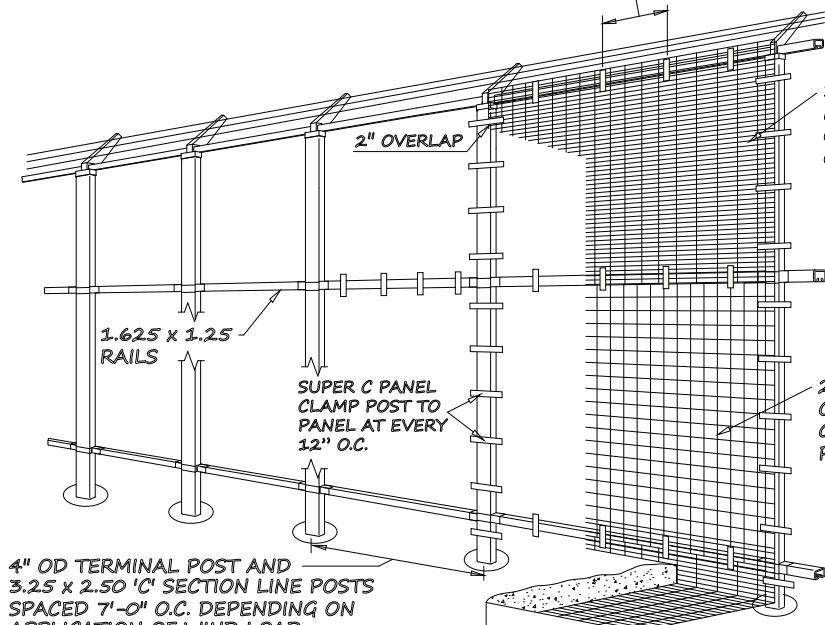


RAIL TIE SPACING 24"



ITEM	QNTY	DESCRIPTION		MATERIAL
		MACHINING TOLERANCES		FABRICATION TOLERANCES
SCALE	NONE	CHK'D BY	DTM	0.1 ± 0.030 UNDER 18"
				0.02 ± 0.015 18" AND OVER ± 1/16
				± 0.005 ALL MACHINED SURFACES ± 1/4"
				± 1/4" ANGLES BREAK ALL SHARP EDGES
SUPER 'C' with BARB WIRE, ROUND TERM. PANEL CLAMPS (WELDED WIRE)				

CAD FILENAME:
FENCE 4-10
LAST PLOT DATE:
09/01/17

GREGORY
FENCE
4100 13th Street SW
Canton, Ohio 44710

REF. No.
DRWG No.
FENCE 4-10